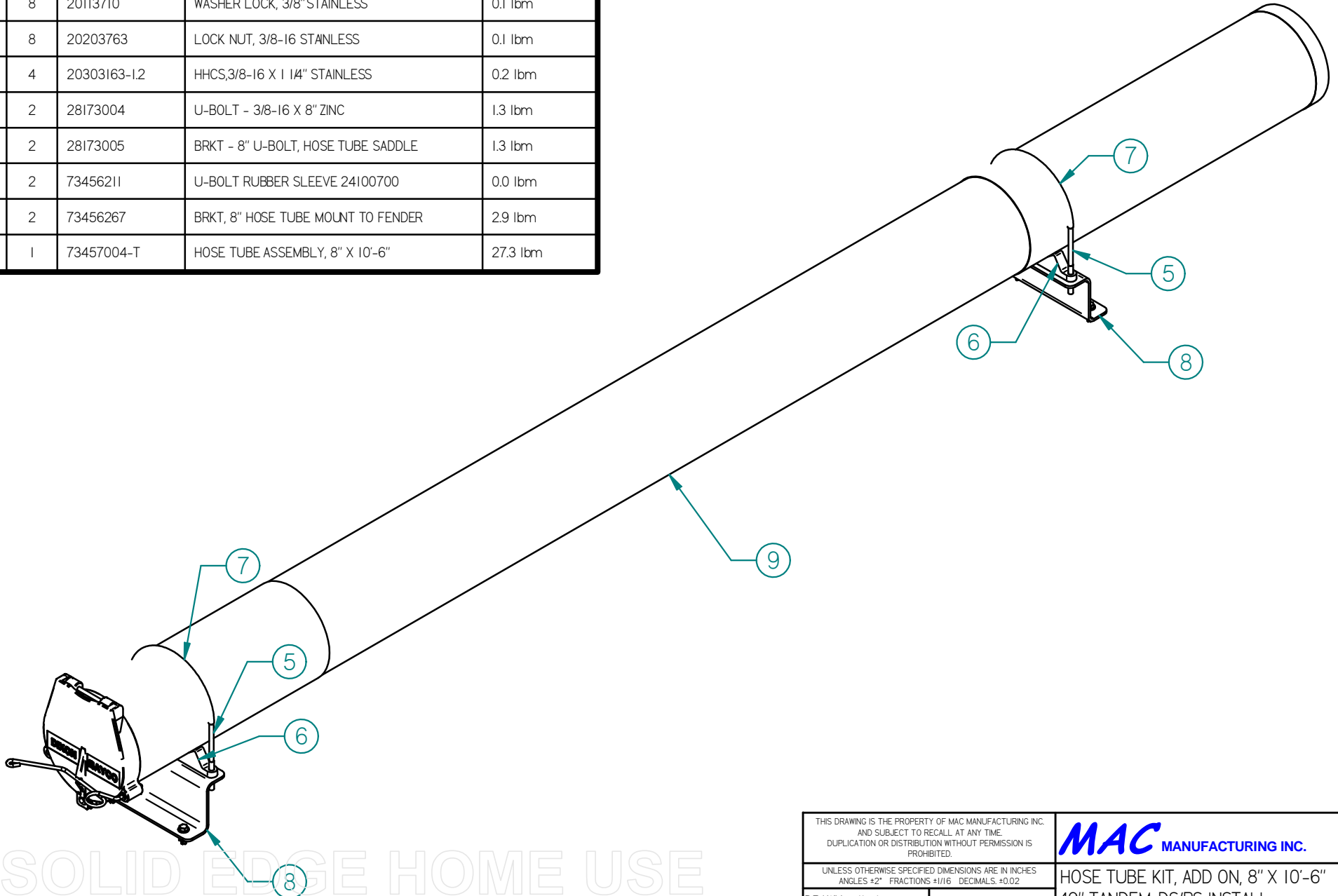


HOSE TUBE KIT, ADD ON, DS/PS INSTALL, 8" X 10'-6"

PART #: 73803005

ITEM	QTY.	PART No.	DESCRIPTION	WEIGHT
1	12	20103710	WASHER, 3/8" STAINLESS	0.1 lbm
2	8	20113710	WASHER LOCK, 3/8" STAINLESS	0.1 lbm
3	8	20203763	LOCK NUT, 3/8-16 STAINLESS	0.1 lbm
4	4	20303163-1.2	HHCS, 3/8-16 X 1 1/4" STAINLESS	0.2 lbm
5	2	28173004	U-BOLT - 3/8-16 X 8" ZINC	1.3 lbm
6	2	28173005	BRKT - 8" U-BOLT, HOSE TUBE SADDLE	1.3 lbm
7	2	73456211	U-BOLT RUBBER SLEEVE 24100700	0.0 lbm
8	2	73456267	BRKT, 8" HOSE TUBE MOUNT TO FENDER	2.9 lbm
9	1	73457004-T	HOSE TUBE ASSEMBLY, 8" X 10'-6"	27.3 lbm

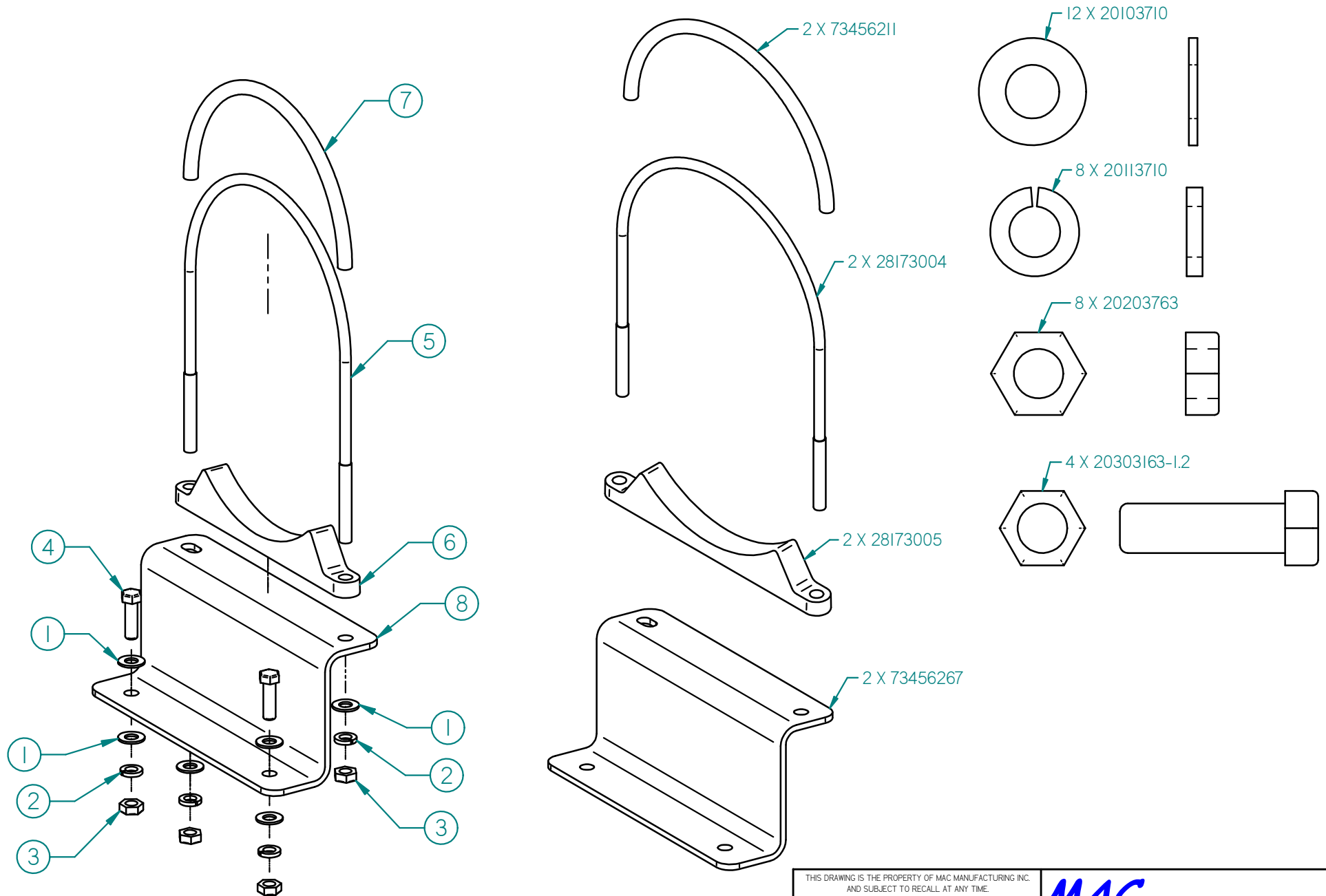


SOLID EDGE HOME USE

THIS DRAWING IS THE PROPERTY OF MAC MANUFACTURING INC. AND SUBJECT TO RECALL AT ANY TIME. DUPLICATION OR DISTRIBUTION WITHOUT PERMISSION IS PROHIBITED.		MAC MANUFACTURING INC.
UNLESS OTHERWISE SPECIFIED DIMENSIONS ARE IN INCHES ANGLES ±2° FRACTIONS ±1/16" DECIMALS ±0.02		
DRAWN: clintb	DATE: 12/02/15	HOSE TUBE KIT, ADD ON, 8" X 10'-6" 49" TANDEM, DS/PS INSTALL
WEIGHT: 33.3 lbm	PAGE 1 OF 3	PART #: 73803005

1	12/02/15	RELEASED TO PRODUCTION	N/A	clintb
REV.	DATE	REASON FOR CHANGE	ECN #	BY

HOSE TUBE KIT, ADD ON, DS/PS INSTALL, 8" X 10'-6"



SOLID EDGE HOME USE

THIS DRAWING IS THE PROPERTY OF MAC MANUFACTURING INC. AND SUBJECT TO RECALL, AT ANY TIME. DUPLICATION OR DISTRIBUTION WITHOUT PERMISSION IS PROHIBITED.

MAC MANUFACTURING INC.

UNLESS OTHERWISE SPECIFIED DIMENSIONS ARE IN INCHES ANGLES ±2° FRACTIONS +1/16 DECIMALS, ±0.02

HOSE TUBE KIT, ADD ON, 8" X 10'-6"
49" TANDEM, DS/PS INSTALL

1	12/02/15	RELEASED TO PRODUCTION	N/A	clintb
REV.	DATE	REASON FOR CHANGE	ECN #	BY

DRAWN: clintb
WEIGHT: 33.3 lbm

DATE: 12/02/15
PAGE 2 OF 3

PART #: 73803005

HOSE TUBE KIT, ADD ON, DS/PS INSTALL, 8" X 10'-6"

PART #: 73803005

8" X 10'6" HOSE TUBE INSTALL LOCATION, INBOARD MOUNT, PS SHOWN. DS WILL MOUNT IN SAME ASPECT.

MOUNT TO FENDER BRACKET HIGHLIGHTED, USE 7/16" BIT TO DRILL BRACKETS

SOLID EDGE HOME USE

THIS DRAWING IS THE PROPERTY OF MAC MANUFACTURING INC. AND SUBJECT TO RECALL AT ANY TIME. DUPLICATION OR DISTRIBUTION WITHOUT PERMISSION IS PROHIBITED.

MAC MANUFACTURING INC.

UNLESS OTHERWISE SPECIFIED DIMENSIONS ARE IN INCHES ANGLES ±2° FRACTIONS ±1/16" DECIMALS ±0.02

HOSE TUBE KIT, ADD ON, 8" X 10'-6" 49" TANDEM, DS/PS INSTALL

1	12/02/15	RELEASED TO PRODUCTION	N/A	clintb
REV.	DATE	REASON FOR CHANGE	ECN #	BY

DRAWN: clintb

DATE: 12/02/15

WEIGHT: 33.3 lbm

PAGE 3 OF 3

PART #: 73803005